

# THERMOCOUPLE AND RTD ASSEMBLIES

Approvals:



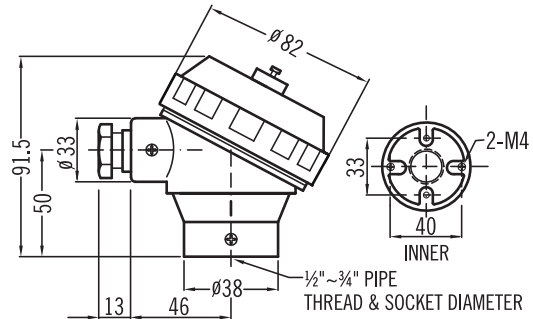
## Head Type Technical Data



**HN TYPE**

### HN Type

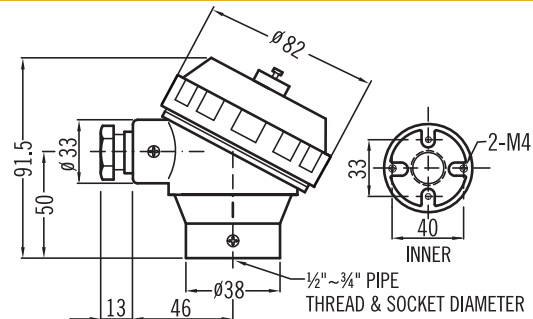
**Protection:** IP68  
**Material:** Aluminum Alloy  
**Weight:** 264g  
**Protection tube connection:** 1/2", 3/4" (PF, NPT, BSP), M20X1.5  
**Extension wire connection:** 1/2", 3/4" (PF, NPT, BSP), M20X1.5  
 Other specifications are available on request.



**LS TYPE**

### LS Type

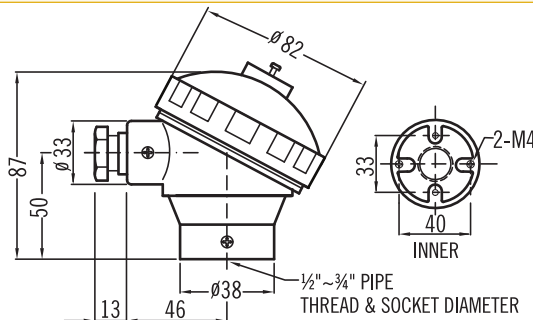
**Protection:** IP68  
**Material:** SS316  
**Weight:** 764g  
**Protection tube connection:** 1/2", 3/4" (PF, NPT, BSP), M20X1.5  
**Extension wire connection:** 1/2", 3/4" (PF, NPT, BSP), M20X1.5  
 Other specifications are available on request.



**HP TYPE**

### HP Type

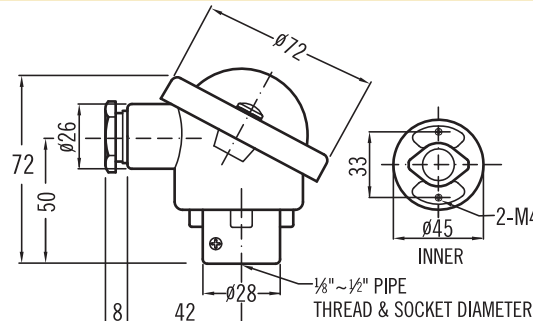
**Protection:** Weather Proof Type  
**Material:** Polypropylene  
**Weight:** 112g  
**Protection tube connection:** 1/2" NPT, 1/2" BSP  
**Extension wire connection:** 3/4" NPT, M20X1.5  
 Other specifications are available on request.



**HD TYPE**

### HD Type

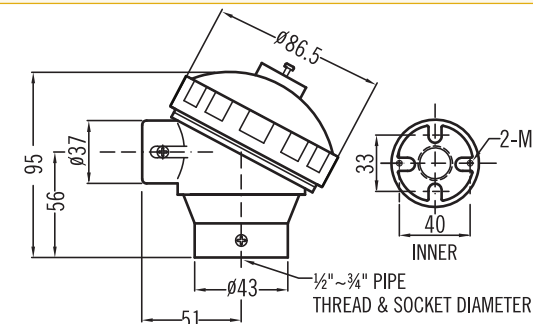
**Protection:** IP68  
**Material:** Aluminum Alloy  
**Weight:** 158g  
**Protection tube connection:** 1/2" PF, 1/2" BSP  
**Extension wire connection:** M22X1.5, PG16  
 Other specifications are available on request.



**HI TYPE**

### HI Type

**Protection:** IP67  
**Material:** Cast Iron  
**Weight:** 1600g  
**Protection tube connection:** 1/2", 3/4" (PF, NPT, BSP), M20X1.5  
**Extension wire connection:** 1/2", 3/4" (PF, NPT, BSP), M20X1.5  
 Other specifications are available on request.

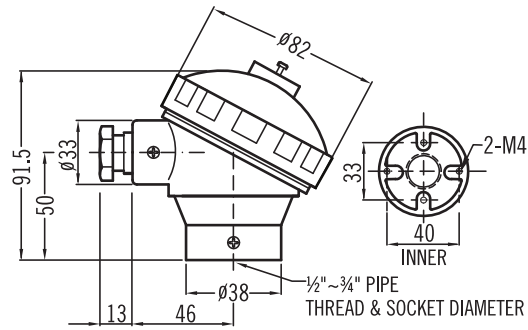




**HB TYPE**

### HB Type

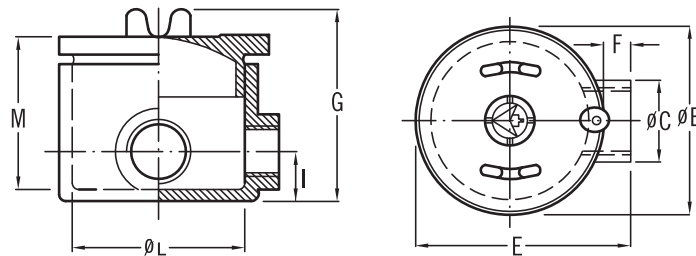
**Protection:** IP65  
**Material:** Bakelite  
**Weight:** 156g  
**Protection tube connection:** ½"PF  
**Extension wire connection:** ½"PF  
 Other specifications are available on request.



**MS-1 TYPE**

### MS-1 Type

**Protection:** IP66  
**Material:** Aluminum Alloy  
**Extension wire connection:** ½"NPT, ¾"NPT



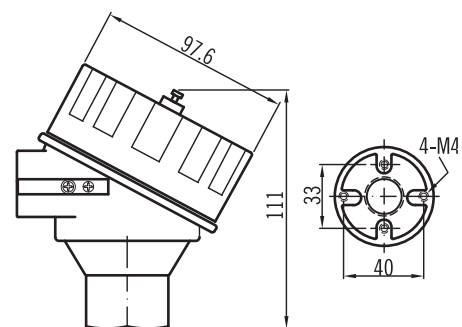
Type	Dimensions								Terminal Block (on request)	Weight Gr.
	ØB	ØC	E	F	G	I	ØL	M		
MS-1	100	38	110	13	80	24	88	68	4x4 mm <sup>2</sup>	650



**XDS TYPE**

### XDS / XDA Type

**Material:** XDS-SS316; XDA-Aluminum alloy  
**Weight:** XDS-1278 g; XDA-460 g  
**Protection tube connection:** ½"PF, ¾"PF, ½"NPT, ¾"NPT, ½"BSP, ¾"BSP, G½", G¾"  
 M20x1.5, M24x1.5, M25x1.5  
**Extension wire connection:** M20x1.5, M25x1.5, ½"NPT, ¾"NPT  
**ATEX Approvals:** II 2G D  
 Ex db IIC T6 Gb  
 Ex tb IIIC T100°C Db  
**FM Approvals:** XP/II/1/ABCD/T6; DIP/II,III/1/EFG/T6;  
 Type 4X



**XDA TYPE**

Explosionproof for Class I, Division 1, Groups A,B,C and D; and dust-ignitionproof for Class II, III Division 1, Groups E,F and G, hazardous (classified) locations; indoor / outdoor (NEMA Type 4X).



**S1 TYPE**

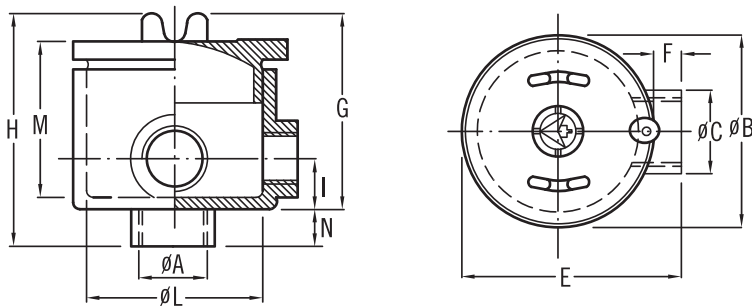


**S2 TYPE**

**S1 & S2 Type**

**Protection:** Explosion proof, EEx d IIC-T6, II 2 GD; IP66

**Material:** Aluminum Alloy



Type	Dimensions											Terminal Block (on request)	Weight Gr.	
	ØA	ØB	ØC	E	F	G	H	I	ØL	M	N			unit:mm
S1	½"	70	31	79	9	72	85	20	55	52	13		4x4 mm <sup>2</sup>	350
S2	¾"	90	38	100	10	78	92	24	76	69	14		4x4 mm <sup>2</sup>	510



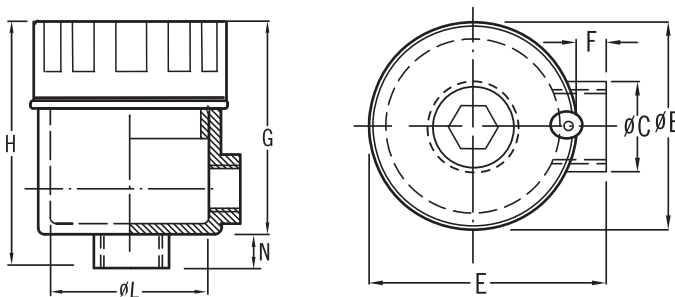
**ES & EA TYPE**

**ES & EA Type**

**Protection:** Explosion Proof Type

**Material:** ES: SS316, EA: Aluminum Alloy

**Extension wire connection:** ½", ¾" (PF, NPT, BSP)



Type	Dimensions								Weight Gr.	
	G	H	ØL	N	ØB	ØC	E	F		unit:mm
ES/EA	76	90	56.5	14	74	35.5	87	13		1054g



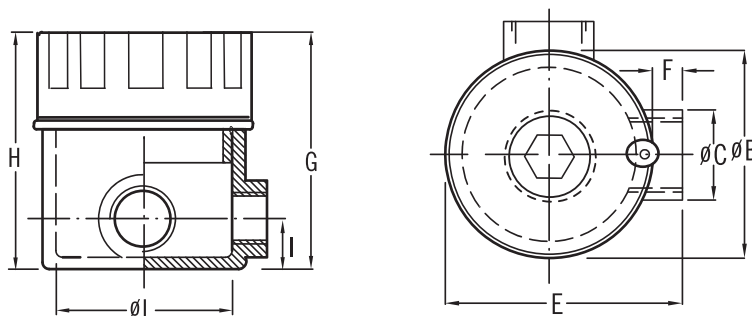
**XS & XA TYPE**

**XS & XA Type**

**Protection:** Explosion Proof Type


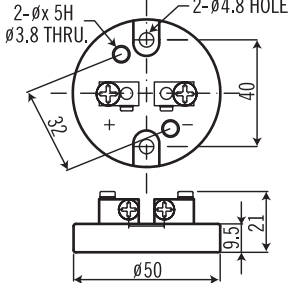

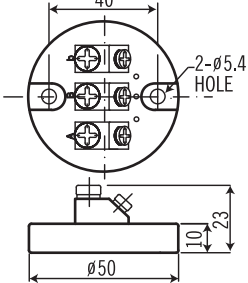

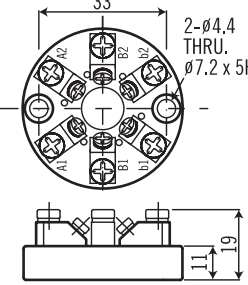

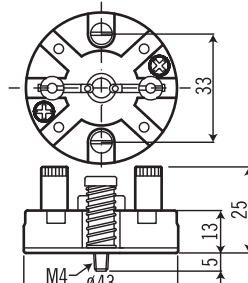
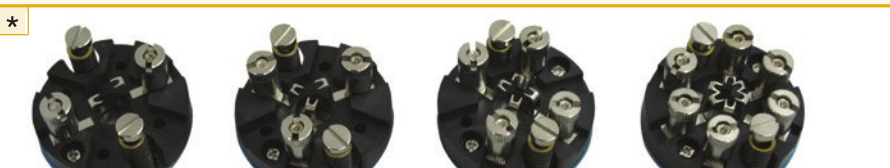
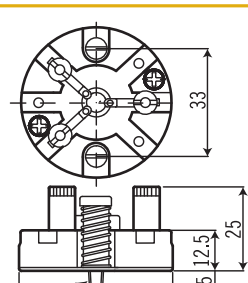

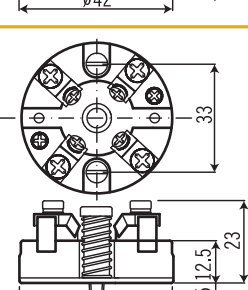
**Material:** XS: SS316, XA: Aluminum Alloy

**Extension wire connection:** ½", ¾" (PF, NPT, BSP)



Type	Dimensions								Weight Gr.	
	G	H	I	ØL	ØB	ØC	E	F		unit:mm
XS/XA	76	76	20	56.5	74	35.5	87	13		1058g

## Terminal Type-Terminal blocks for connection heads

 <p><b>N-2P-A</b>      <b>N-3P-A</b>      <b>N-3P-A(Y)</b>      <b>N-4P-A</b>      <b>N-6P-A</b></p>	
<p><b>Material:</b> Ceramic Al<sub>2</sub>O<sub>3</sub> 92%  <b>Temperature limited:</b> 600°C  <b>Terminal block weight:</b> 2P-A(72g); 3P-A(78g); 3P-A(Y)(72g); 4P-A(84g); 6P-A(94g)</p>	
 <p><b>N-2P-B</b>      <b>N-3P-B</b>      <b>N-3P-B(Y)</b>      <b>N-4P-B</b>      <b>N-6P-B</b></p>	
<p><b>Material:</b> Bakelite  <b>Temperature limited:</b> 180°C  <b>Terminal block weight:</b> 2P-B(56g); 3P-B(68g); 3P-B(Y)(44g); 4P-B(84g); 6P-B(66g)</p>	
<p>*</p>  <p><b>M-2P-C</b>      <b>M-3P-C</b>      <b>M-4P-C</b>      <b>M-6P-C</b></p>	
<p><b>Material:</b> Ceramic  <b>Temperature limited:</b> 600°C  <b>Terminal block weight:</b> 2P-C(34g); 3P-C(38g); 4P-C(42g); 6P-C(54g)</p>	
<p>*</p>  <p><b>D-2P-A</b>      <b>D-3P-A</b>      <b>D-4P-A</b>      <b>D-6P-A</b></p>	
<p><b>Material:</b> Ceramic Al<sub>2</sub>O<sub>3</sub> 92%  <b>Temperature limited:</b> 600°C  <b>Terminal block weight:</b> 2P-A(66g); 3P-A(72g); 4P-A(78g); 6P-A(88g)</p>	
<p>*</p>  <p><b>D-2P-B</b>      <b>D-3P-B</b>      <b>D-4P-B</b>      <b>D-6P-B</b></p>	
<p><b>Material:</b> Bakelite  <b>Temperature limited:</b> 180°C  <b>Terminal block weight:</b> 2P-B(48g); 3P-B(54g); 4P-B(60g); 6P-B(72g)</p>	
<p>*</p>  <p><b>DS-2P-C</b>      <b>DS-3P-C</b>      <b>DS-4P-C</b>      <b>DS-6P-C</b></p>	
<p><b>Material:</b> Ceramic  <b>Temperature limited:</b> 600°C  <b>Terminal block weight:</b> 2P-C(64g); 3P-C(70g); 4P-C(74g); 6P-C(84g)</p>	

### NOTE

\* HD Type: Head Type  
 HD only choose these terminal blocks of type D-2P-A/M-6P-C/D-3P-B/DS-4P-C.  
 All type of terminal blocks are suitable for other head.

## Terminal Type-Terminal blocks for connection heads



2046A-1P

2046A-3P

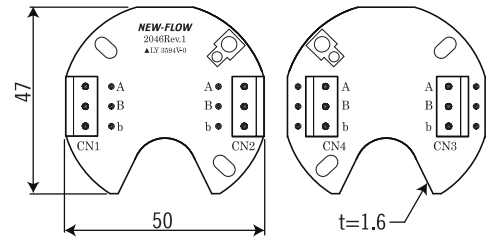
2046A-4P

2046A-6P

**Material:** PCB (FR4)

**Temperature Limited:** 120°C

**Terminal block weight:** 2046A-1P(65g); 2046A-3P(70g);  
2046A-4P(75g); 2046A-6P(20g)



2047-1P

2047-3P

2047-4P

2047-6P

**Material:** Ceramic Al<sub>2</sub>O<sub>3</sub>, 99%

**Temperature Limited:** 600°C

**Terminal block weight:** 2047-1P(65g); 2047-3P(70g);  
2047-4P(75g); 2047-6P(85g)

